

A

B

C

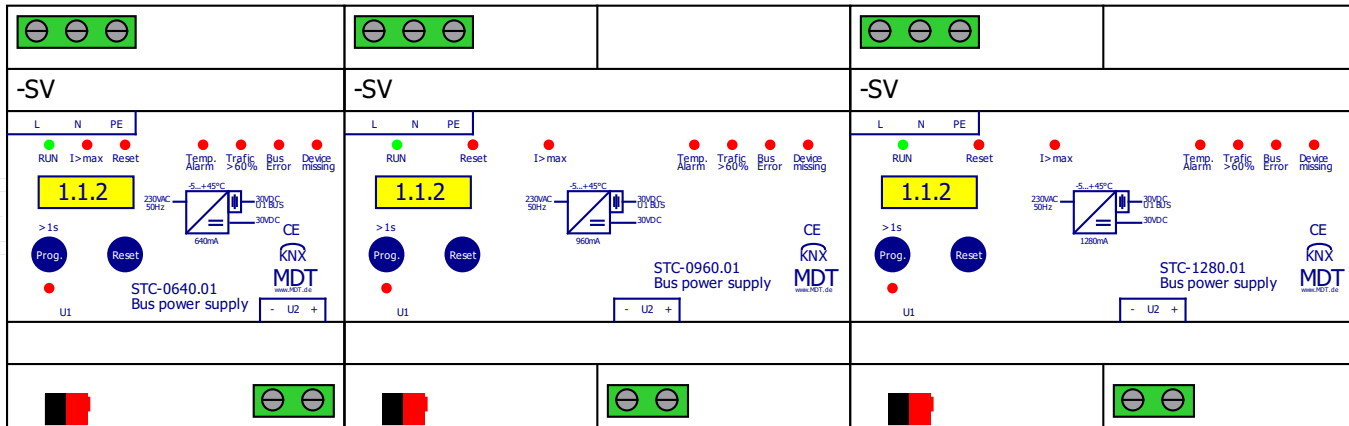
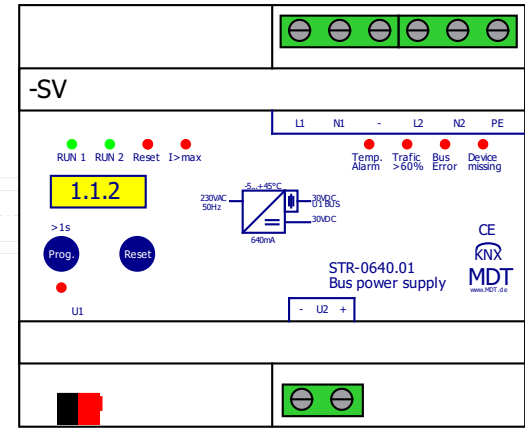
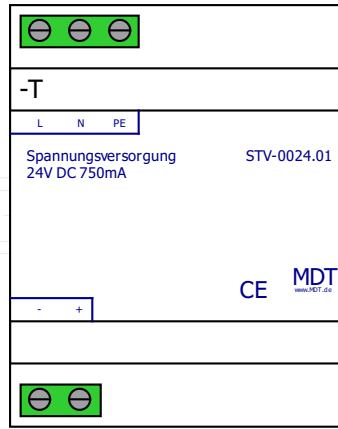
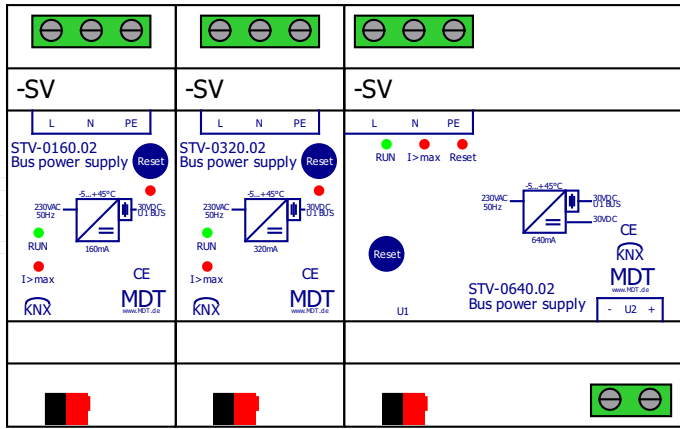
D

E

F

G

H



A

B

C

D

E

F

G

H

-XX

SCN-LK001.03
Linienkoppler

1.1.2

Bus State ● ●
Main Sub

Traffic ● ●

GA ● PA ●

Function ● CE

Main ● Prog. ● Sub ●

-XX

SCN-IP000.03
IP Interface

1.1.2

Bus State ● ●

IP TP

Traffic ● ●

GA ● PA ●

Function ● CE

Prog. ●

-XX

SCN-IP100.03
IP Router

1.1.2

Bus State ● ●

IP TP

Traffic ● ●

GA ● PA ●

Function ● CE

Prog. ●

-XX

SCN-USBR.02
USB Interface

1.1.2

USB ●

KNX ●

CE

-SU

SCN-RTC20.01
Zeitschaltuhr

12:40

05:59 21:17

1.1.2

Prog. ●

-SL

SCN-LOG1.02
Logikmodul

1 ●

2 ● >1s

3 ●

4 ●

Prog. ●

MDT

-SM

SCN-SAFE.01
Sicherheitsmodul

Safe ● Prog. ●

2h ● >1s

12h ●

Alarm ● Clear ●

MDT

A

B

C

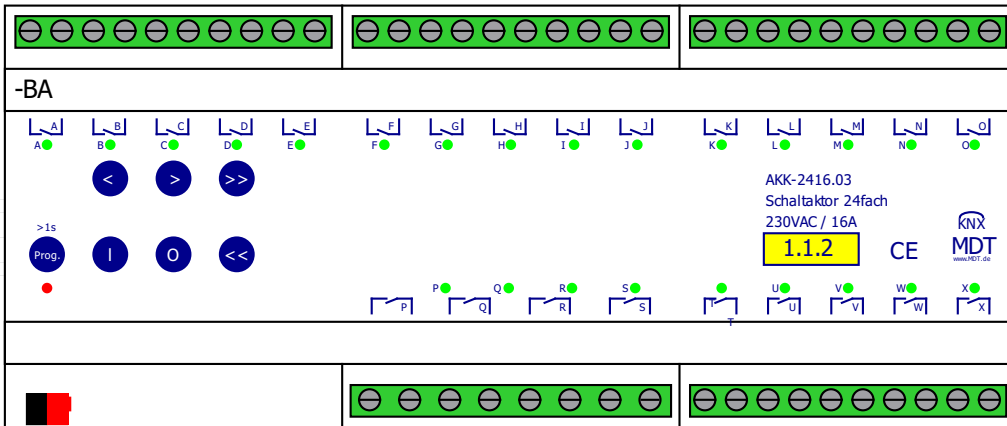
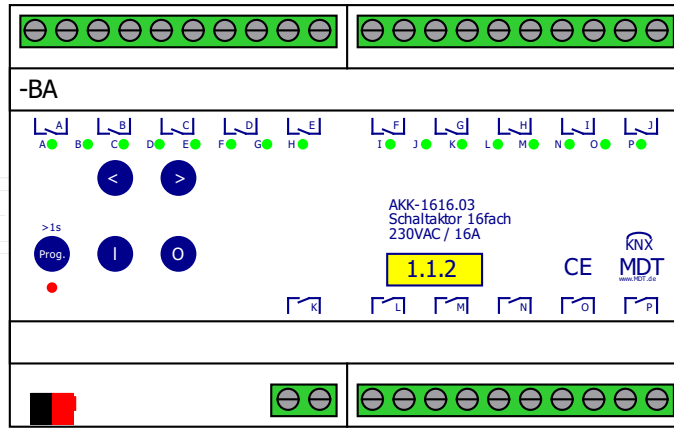
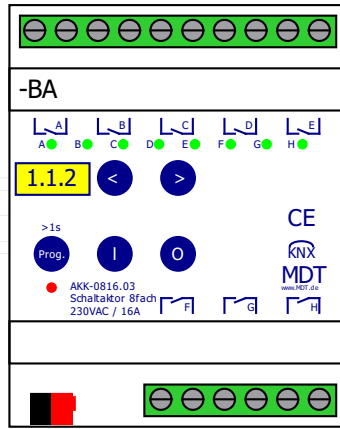
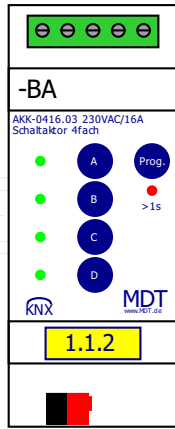
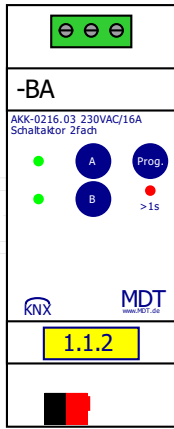
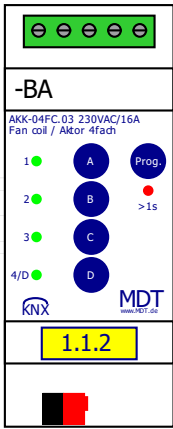
D

E

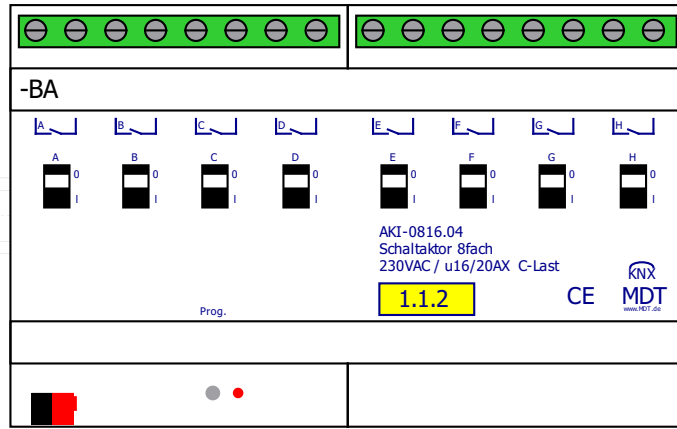
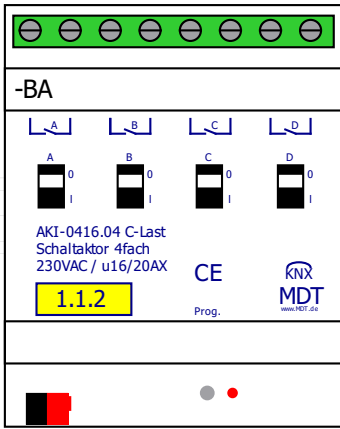
F

G

H



A

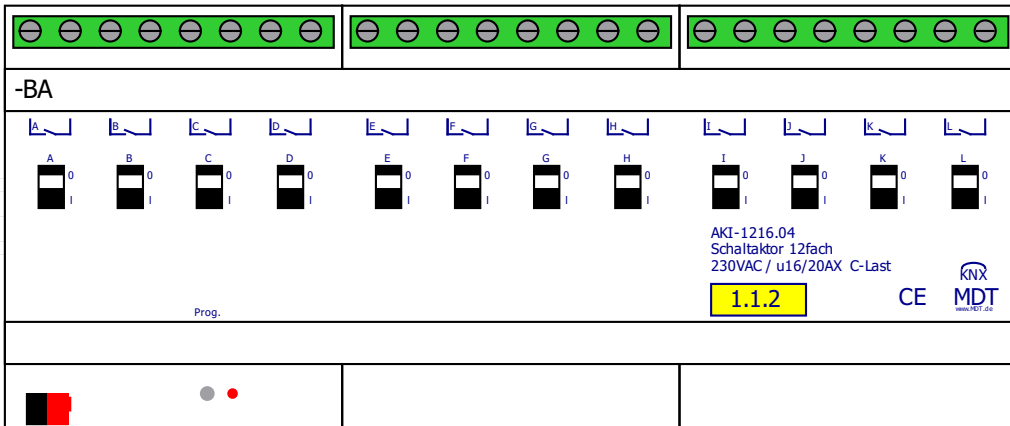


B

C

D

E



F

G

H

A

B

C

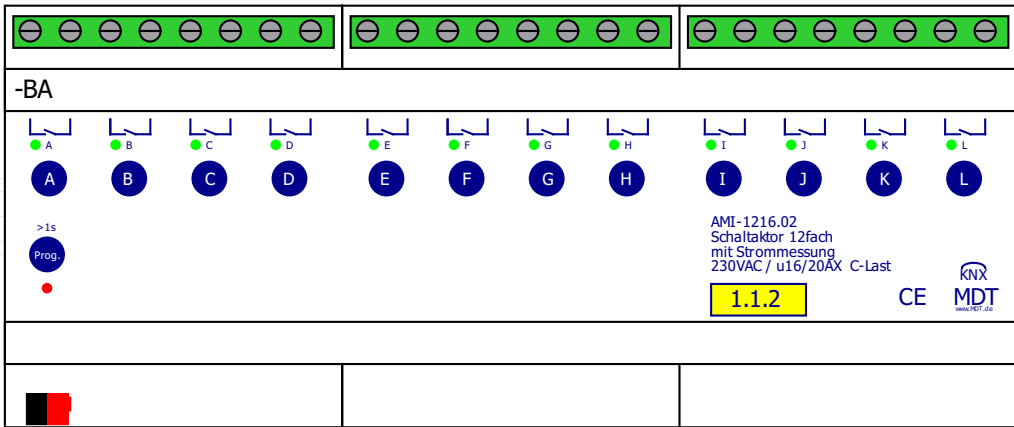
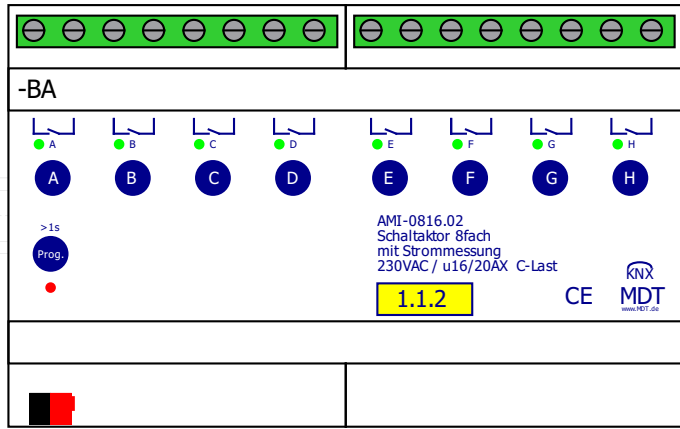
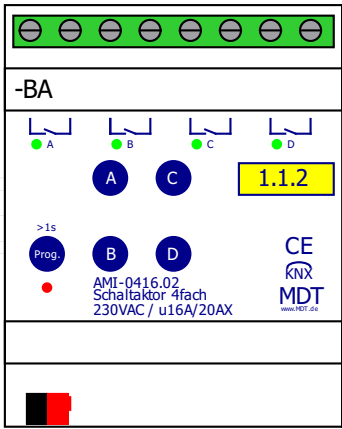
D

E

F

G

H



A

B

C

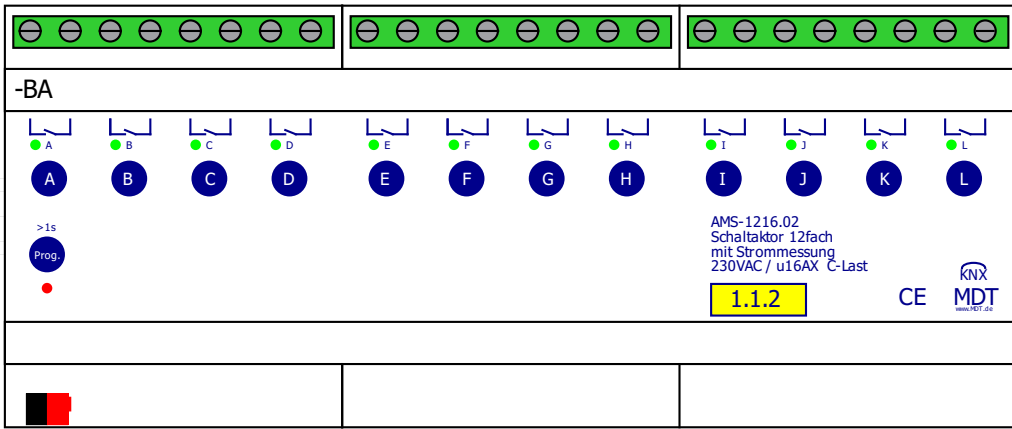
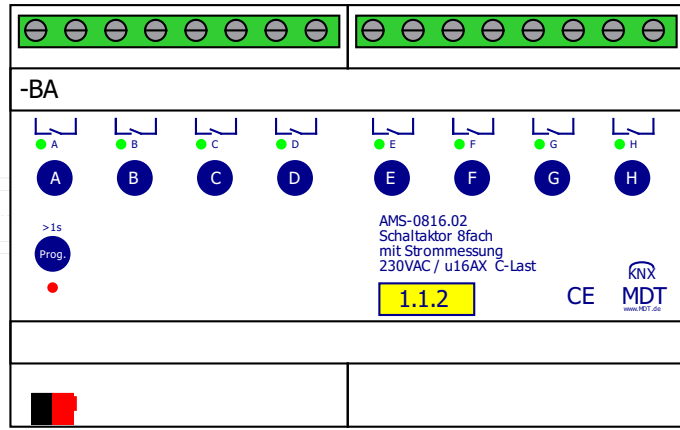
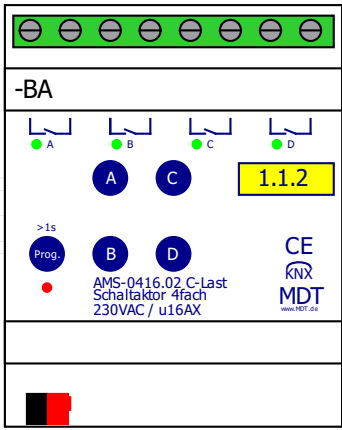
D

E

F

G

H



A

B

C

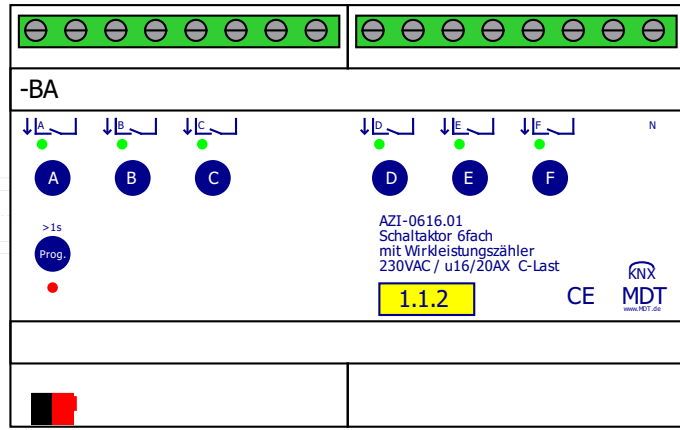
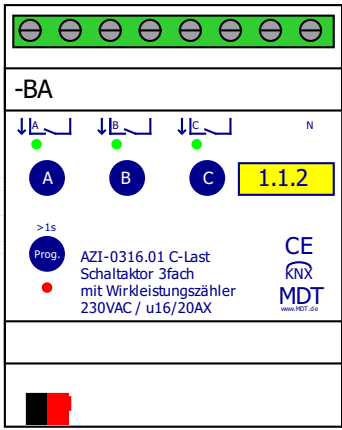
D

E

F

G

H



A

B

C

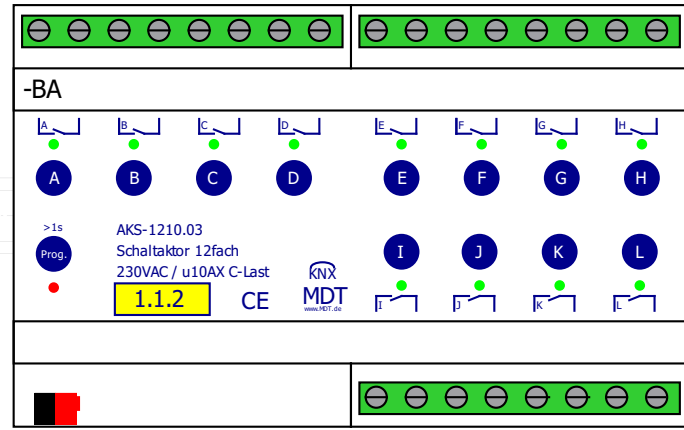
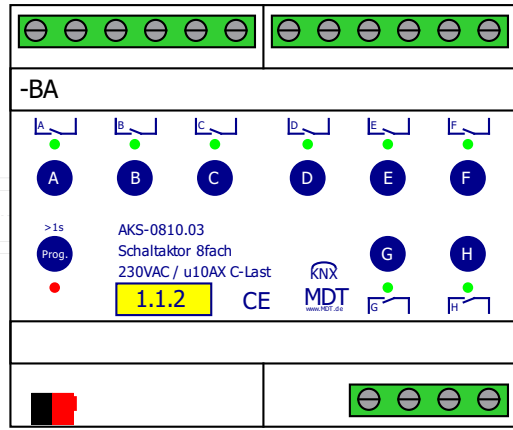
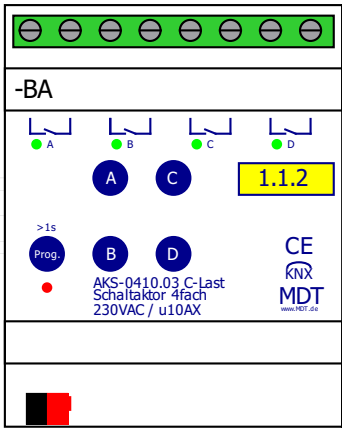
D

E

F

G

H



A

B

C

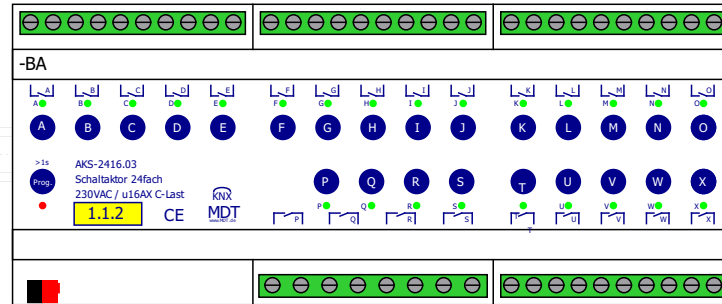
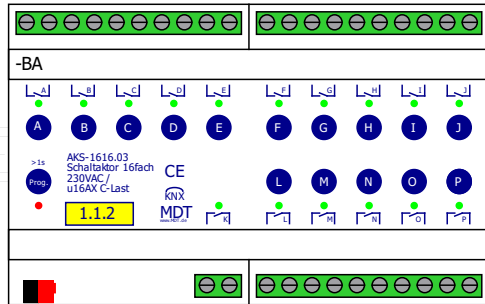
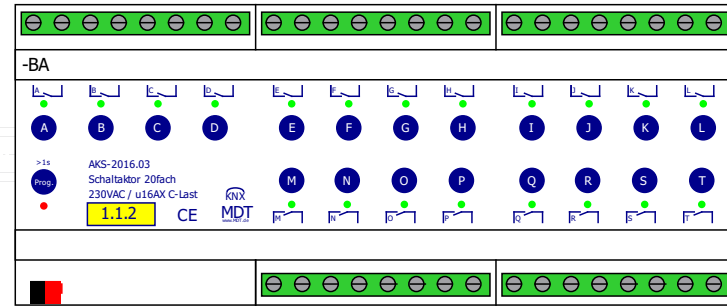
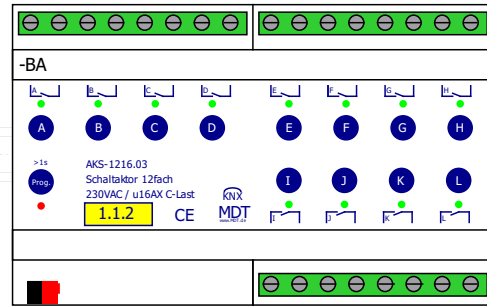
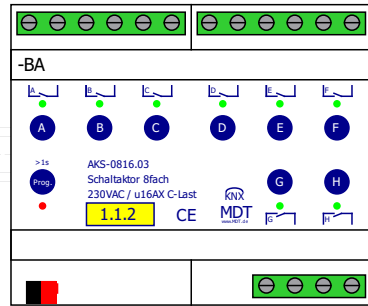
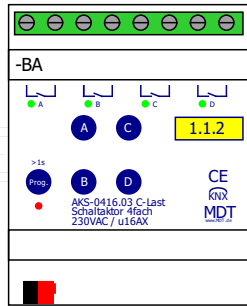
D

E

F

G

H



Autor:
Datum:

AKS 16A

Datei:
Seite: 9/12

1

2

3

4

5

6

7

8

9

10

11

12

13

14

15

16

17

A

B

C

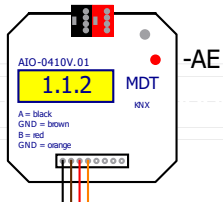
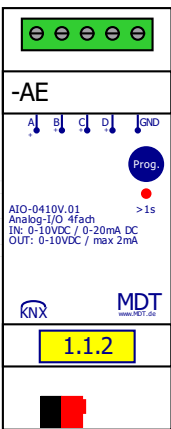
D

E

F

G

H



Autor: _____
 Datum: _____

AIO

Datei: _____
 Seite: 10/12