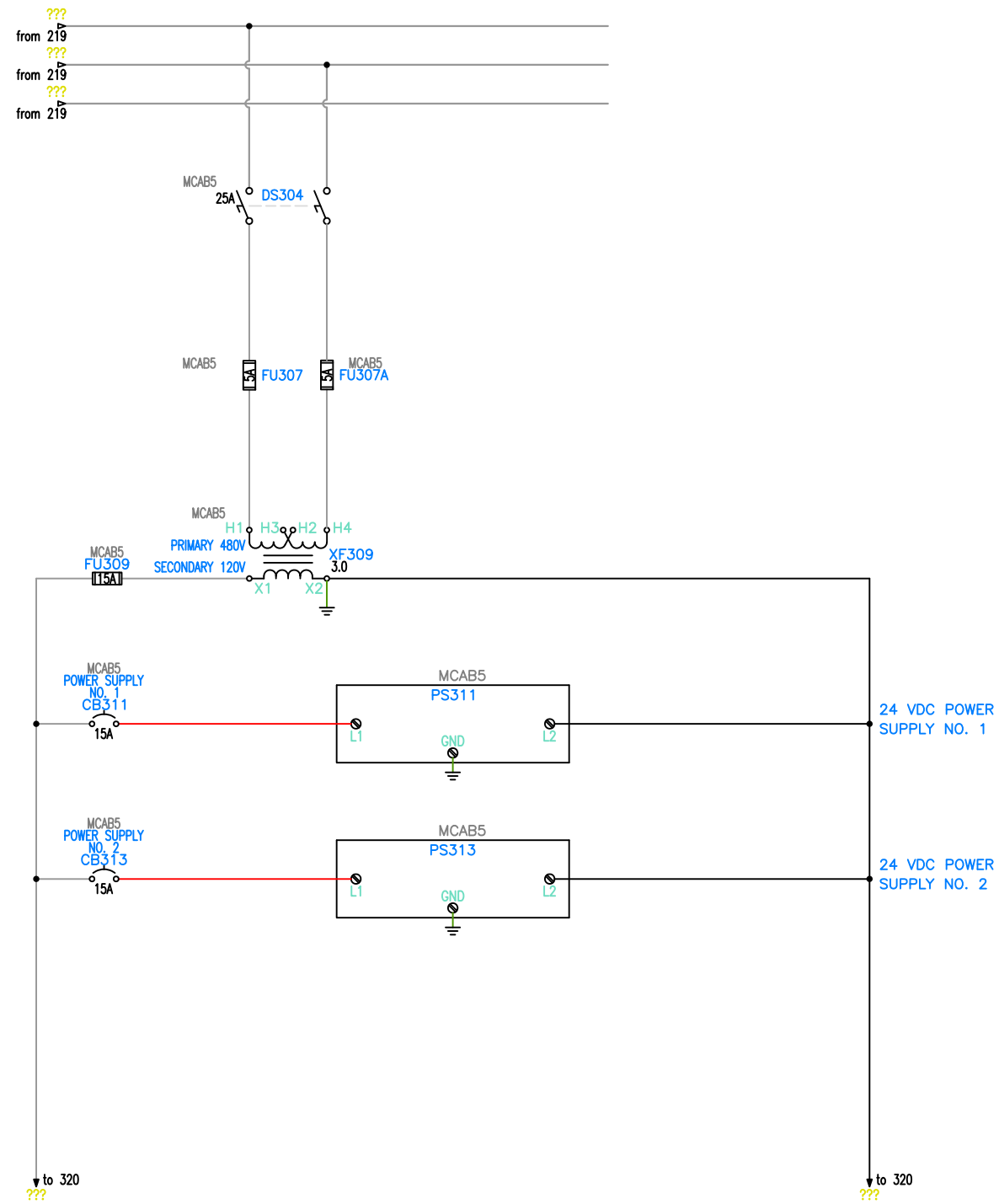
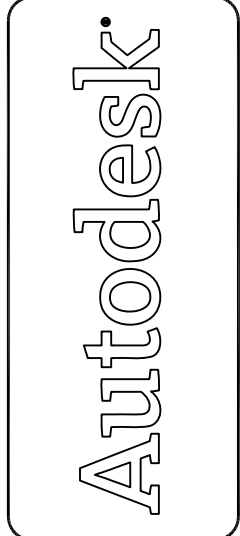
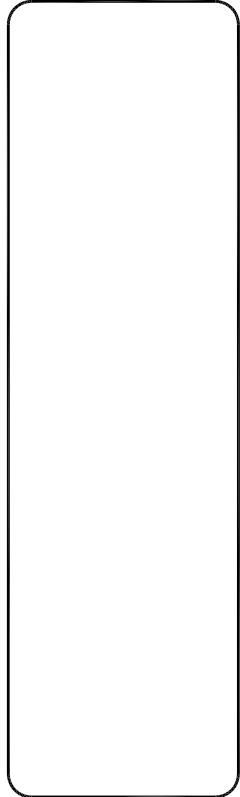


301
302
303
304
305
306
307
308
309
310
311
312
313
314
315
316
317
318



319
320
321
322
323
324
325
326
327
328
329
330
331
332
333
334
335
336



NO.	DATE	REVISION	BY
ENGINEER		CHECKED BY	
JOB NO		DRAWN BY	
SCALE	No Scale	DATE	
DWG NO			
SHEET NO			

OF

CAD DWG FILE